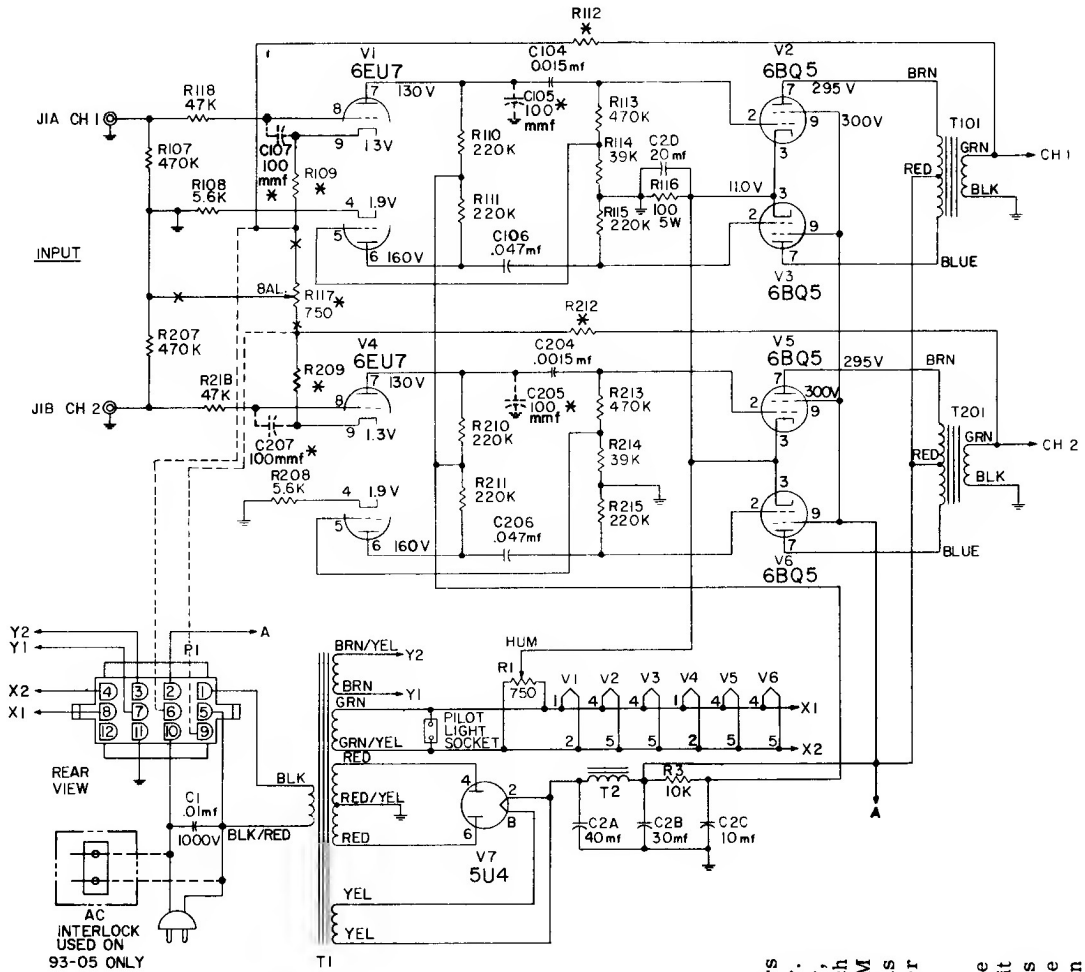


Magnavox

93 SERIES AMPLIFIER CHASSIS

(93-01, 93-02, 93-03, 93-04, & 93-05)



CHASSIS	R109	R209	R112	R212	R117	C105	C205	C107	C207
93-01-00	4700	4700	2200	2200	USE	USE	USE	OMIT	OMIT
93-02-00	2200	2200	3900	3900	USE	USE	USE	OMIT	OMIT
93-02-10	2200	2200	3900	3900	USE	OMIT	OMIT	USE	USE
93-03-00	4700	4700	2200	2200	OMIT	USE	USE	OMIT	OMIT
93-03-10	4700	4700	2200	2200	OMIT	OMIT	OMIT	USE	USE
93-04-00	2200	2200	3900	3900	OMIT	USE	USE	OMIT	OMIT
93-04-10	2200	2200	3900	3900	OMIT	OMIT	OMIT	USE	USE
93-05-00	4700	4700	2200	2200	OMIT	OMIT	OMIT	USE	USE

* When Balance Control (R117) is not used the Power Connector will have two additional connections as shown in dotted lines.

The 93 Series Amplifiers are Stereo Amplifiers designed to work in conjunction with an AM-FM Tuner. These chassis contain seven tubes, including rectifier, and provide approximately 15 watts output for each channel. All voltages, including those for the AM-FM Tuner are obtained from these amplifiers. This necessitates using a 5U4 as a rectifier and a heavier power transformer than is normally used.

The 93-01 and 93-02 Amplifiers contain a "Balance Control". This control is located in the cathode circuit of (1/2) of the 6EU7 used as the Audio Amplifier. This control will vary the output of each channel to assure proper balance when reproducing stereo records. On all other chassis this control has been eliminated since these amplifiers are used with AM-FM Tuners which have the Balance Control as part of the tuner.